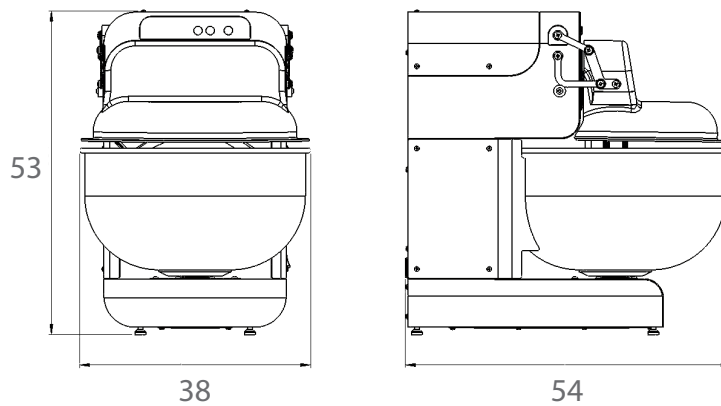
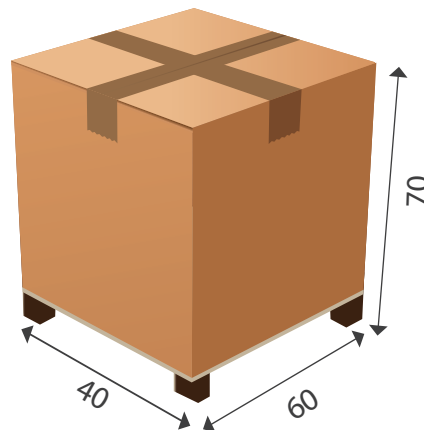


Miss Baker Chef XL: technical data



Maximum dimensions (cm) of Miss Baker Chef XL.



Miss Baker Chef XL	
Flour capacity	1 - 3 kg
Kneading capacity	1,5 - 6 kg
Bowl capacity	20 lt
Dimensions of bowl	Ø 36 - h 20
Voltage	230 V single-phase
Power	500 W
Speed of the arms	38 and 52 strokes/min
Kneading machine dimensions <small>LxPxH (cm)</small>	38x54x53
Dimensions with packaging <small>LxPxH (cm)</small>	40x60x70
Kneading machine weight / Weight with packaging	33 kg / 45 kg
Code	MS0623029